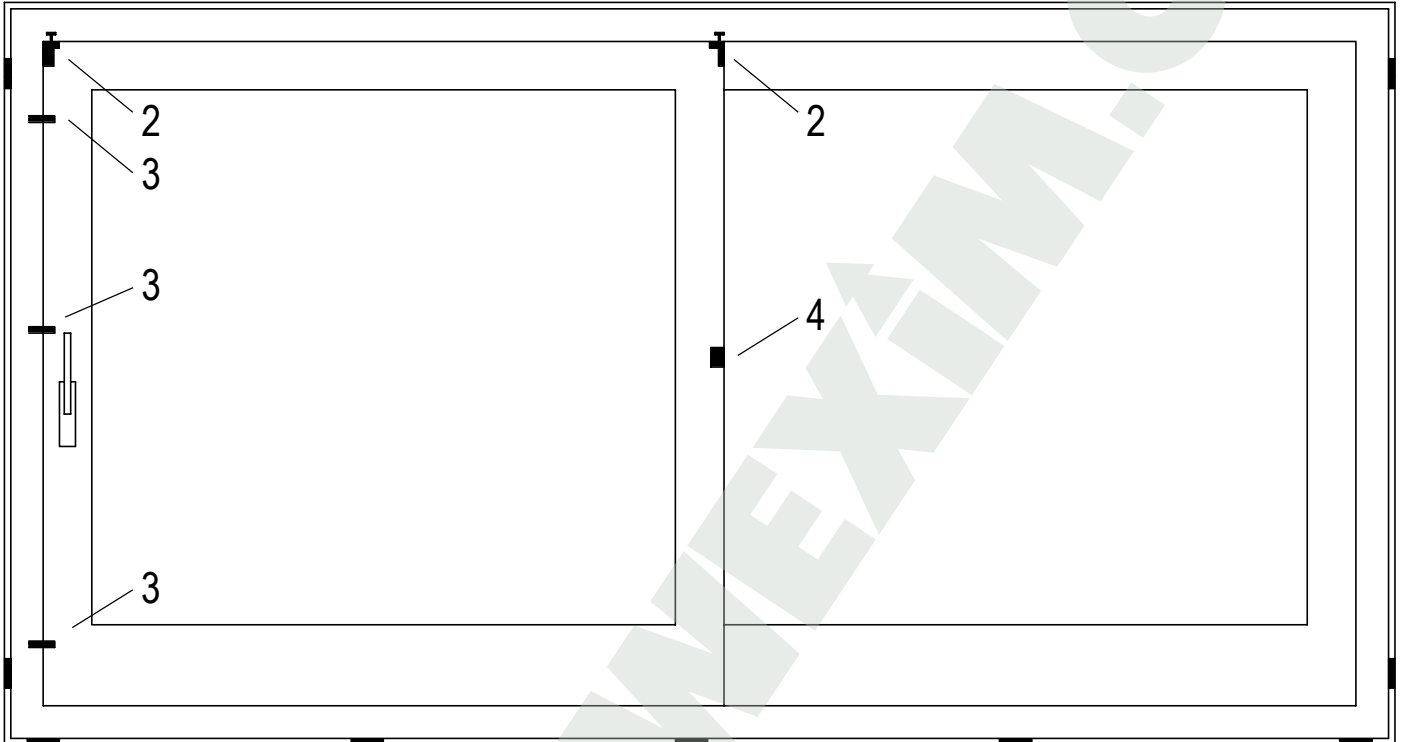


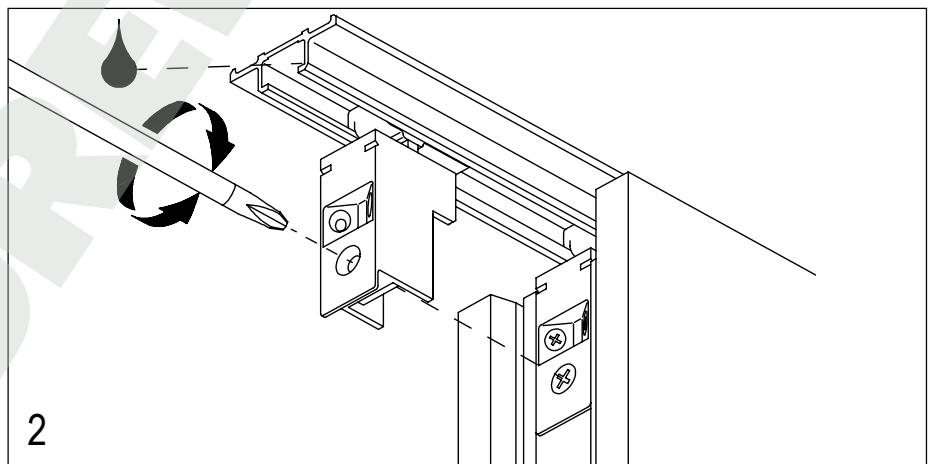
Assembly instructions



1

Assembly

Position the frame vertically and horizontally by means of a spirit level. Fix with wooden wedges horizontally and vertically. The wooden wedges must not protrude at the inside of the frame (plaster work).



2

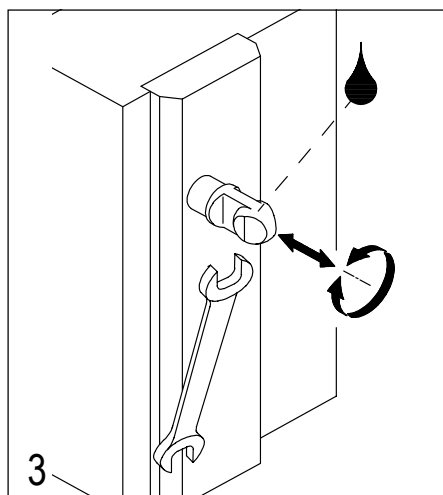
Removing the sash

Lift the sash (handle pointing downwards) and pull it open approx. 50 cm.

Unscrew C guides no. 1 and no. 2, pull them off sideways.

Tilt the sash inwards and take it off the running rail.

Insert sash in reverse order.



3

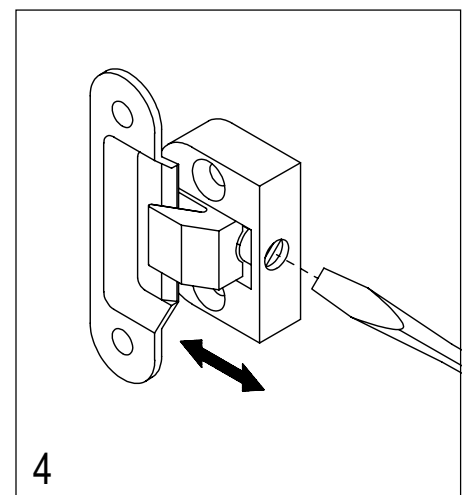
Adjusting the sash pressure

The sash pressure at the locking bolt is adjusted by means of a spanner.

4

Central sash pressure

The sash pressure at the meeting stile is adjusted by the screw on the middle lock.



4