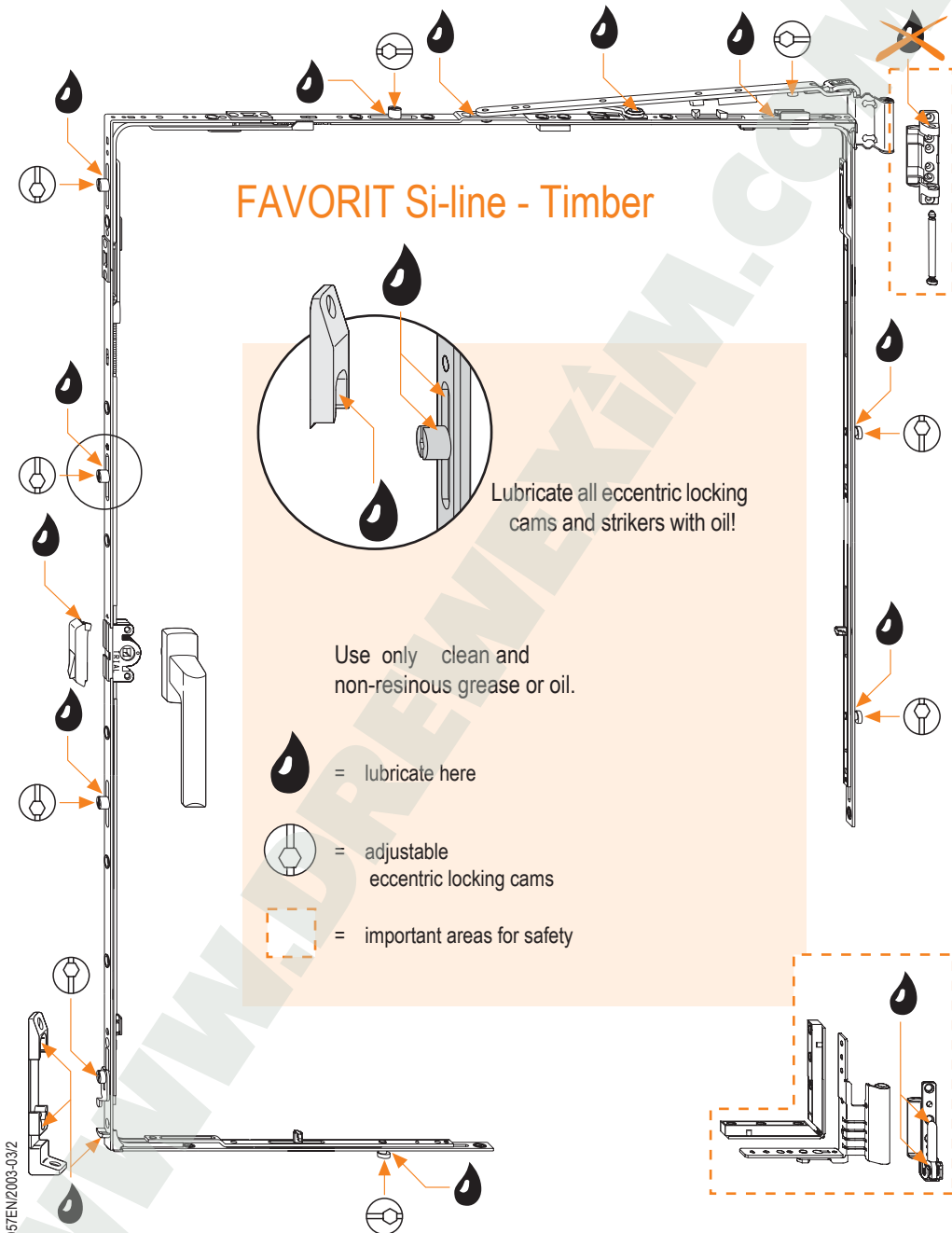


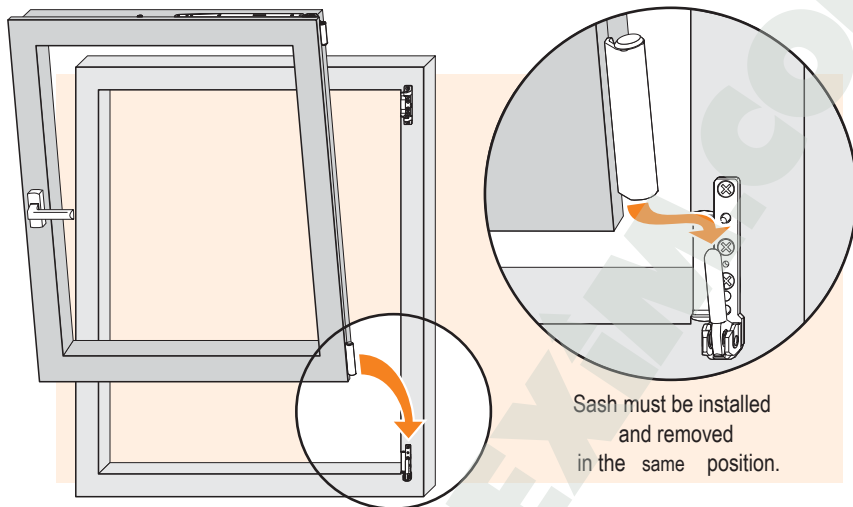
Maintenance Instructions

FAVORIT Si-line - Timber

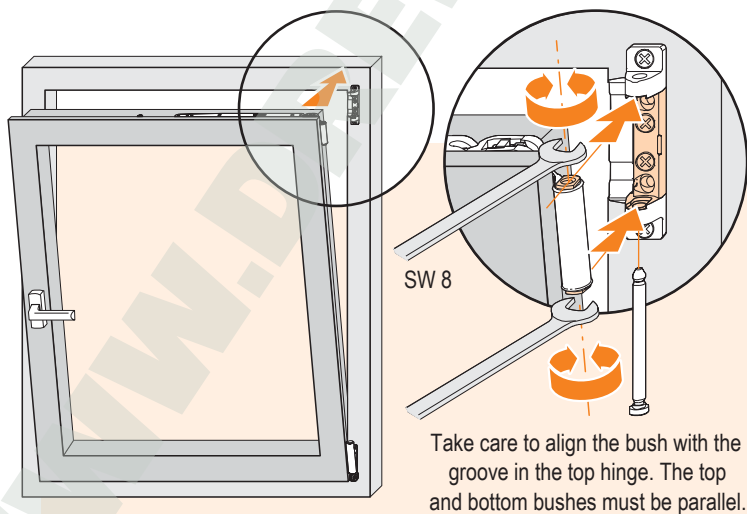


Hanging a Tilt and Turn Window*

1. Hanging sash onto bottom hinge



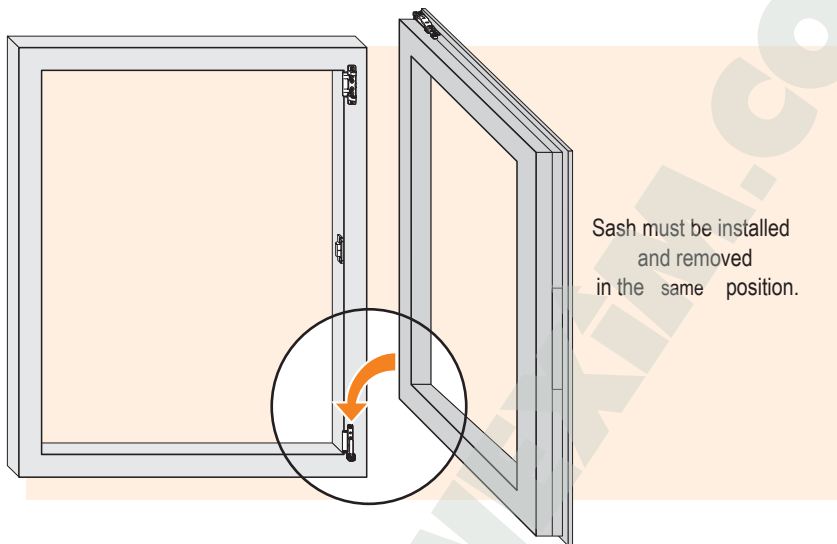
2. Connection to top hinge with built in friction



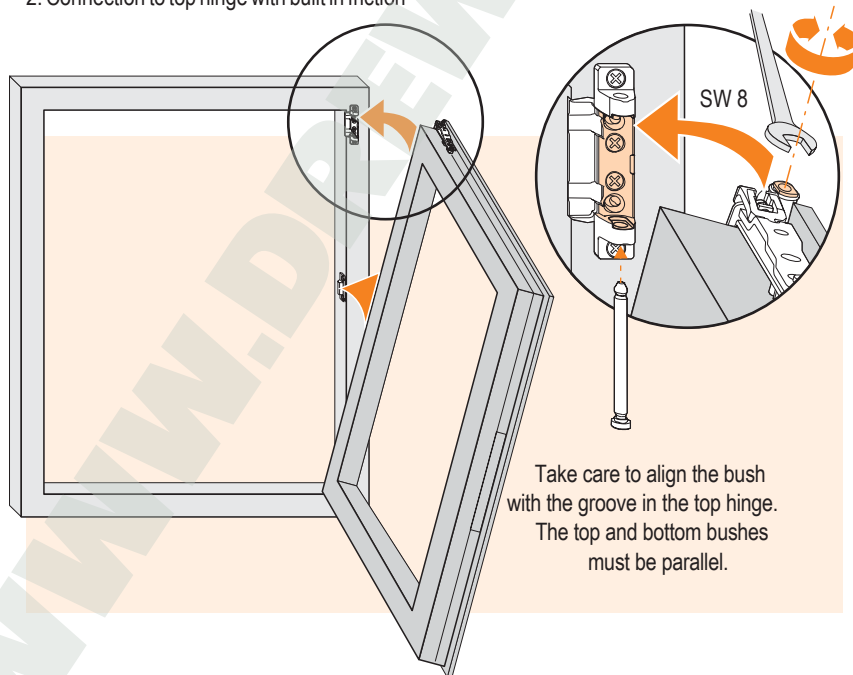
Hanging a Side Hung Window*

with surface mounted or concealed centre lock

1. Hanging sash onto bottom hinge




2. Connection to top hinge with built in friction



Special Notes:

Your windows are fitted with high quality components from SIEGENIA-AUBI. To ensure their smooth and trouble free operation you must carry out the following maintenance on them at least once a year:

1. Lubricate or oil all moving parts and locking points ().
2. Use only clean and non-resinous grease or oil.
3. Check all important components () for looseness and wear. If necessary tighten fixing screws and replace defective parts.
4. If these parts are not fitted with cover caps on your window, please check whether the top hinge pin is pushed up fully in the hinge.
5. Only clean your windows with a mild, neutral pH, diluted detergent. Never use aggressive, acid based detergents or scouring powder because they can damage the protective surface of your hardware.

To maintain the surface quality we recommend the following preventative measures:

6. After cleaning the hardware surface treat with a silicon and corrosion free (ie non-acidic) oil, eg: sewing machine oil.

*Warning, N.B. Malfunctions carry a risk of injury!

Do not continue to operate the window, but make it safe and have it repaired immediately; the following jobs should only be carried out by a specialist window company:

- the replacement of fittings
- the removal and replacement of sashes
- all adjustments of fittings - especially of hinges and stays

No sealants which are hardened by the effect of vinegar or acid, or those containing these substances, must be used on the window or in its immediate vicinity. Direct contact with the sealant or with its vapours could attack the surface of the hardware fittings.

If treating the surface of windows or doors - e.g. by painting or varnishing - all hardware components are to be excluded from this treatment and should also be protected against contamination.

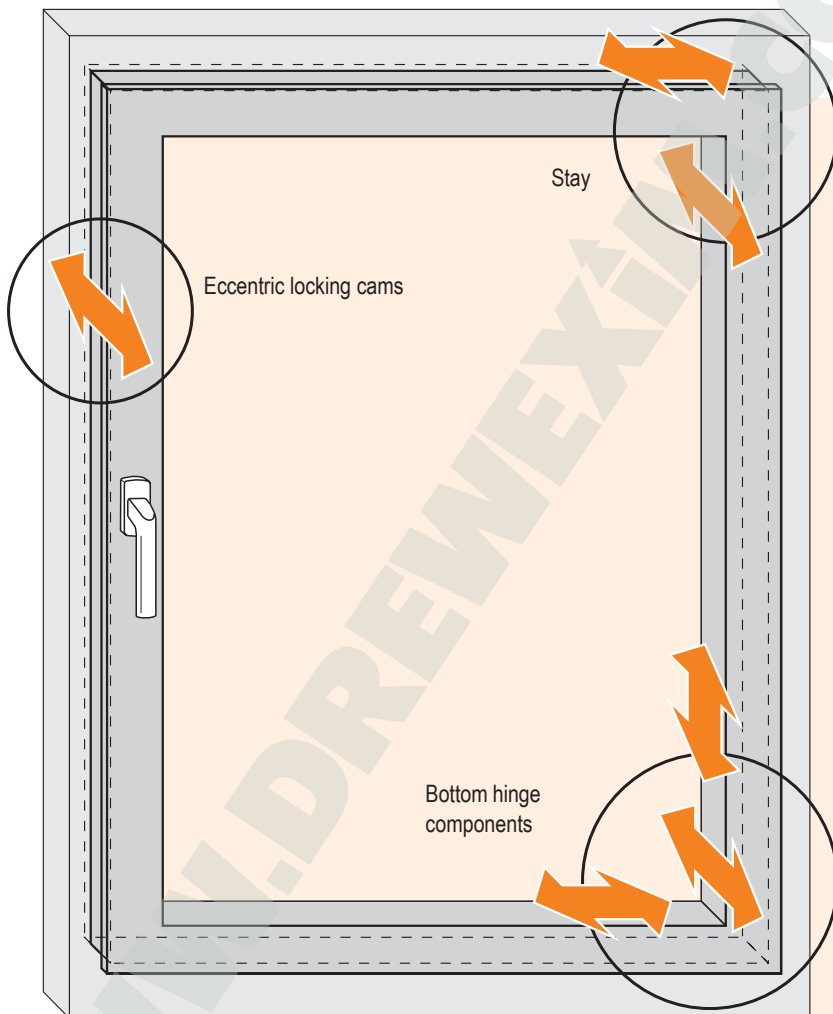
These maintenance instructions are also valid for other fittings and window types that are not mentioned here.

Your Window specialist:



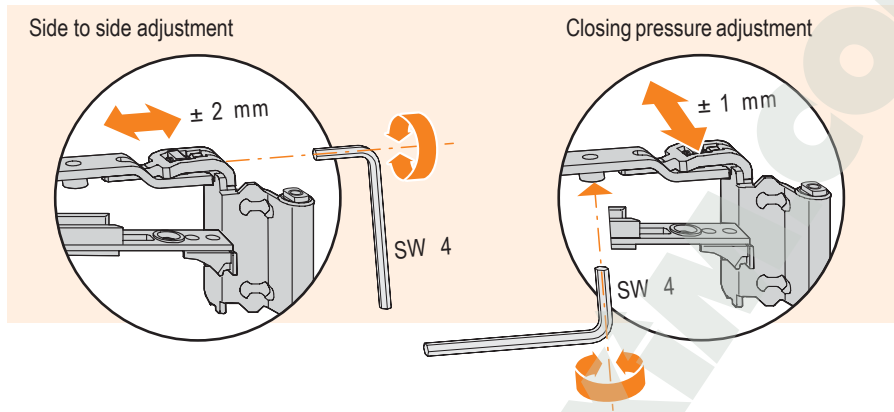
Adjustments

The following adjustments should only be performed by an experienced window tradesman:

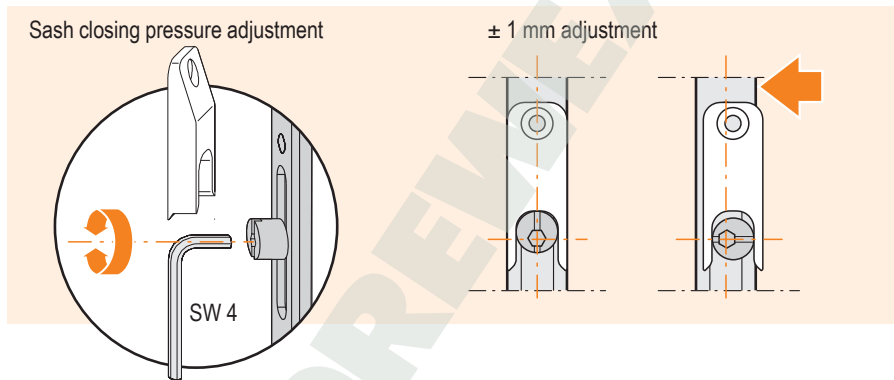


Adjustable Parts

Stay



Eccentric locking cams



Rebate corner hinge

