

# Maintenance Instructions

## PSK PORTAL 200-Z

Lubricate all hardware components as specified here with oil.

Use only clean and non-resinous grease or oil.



= lubricate here



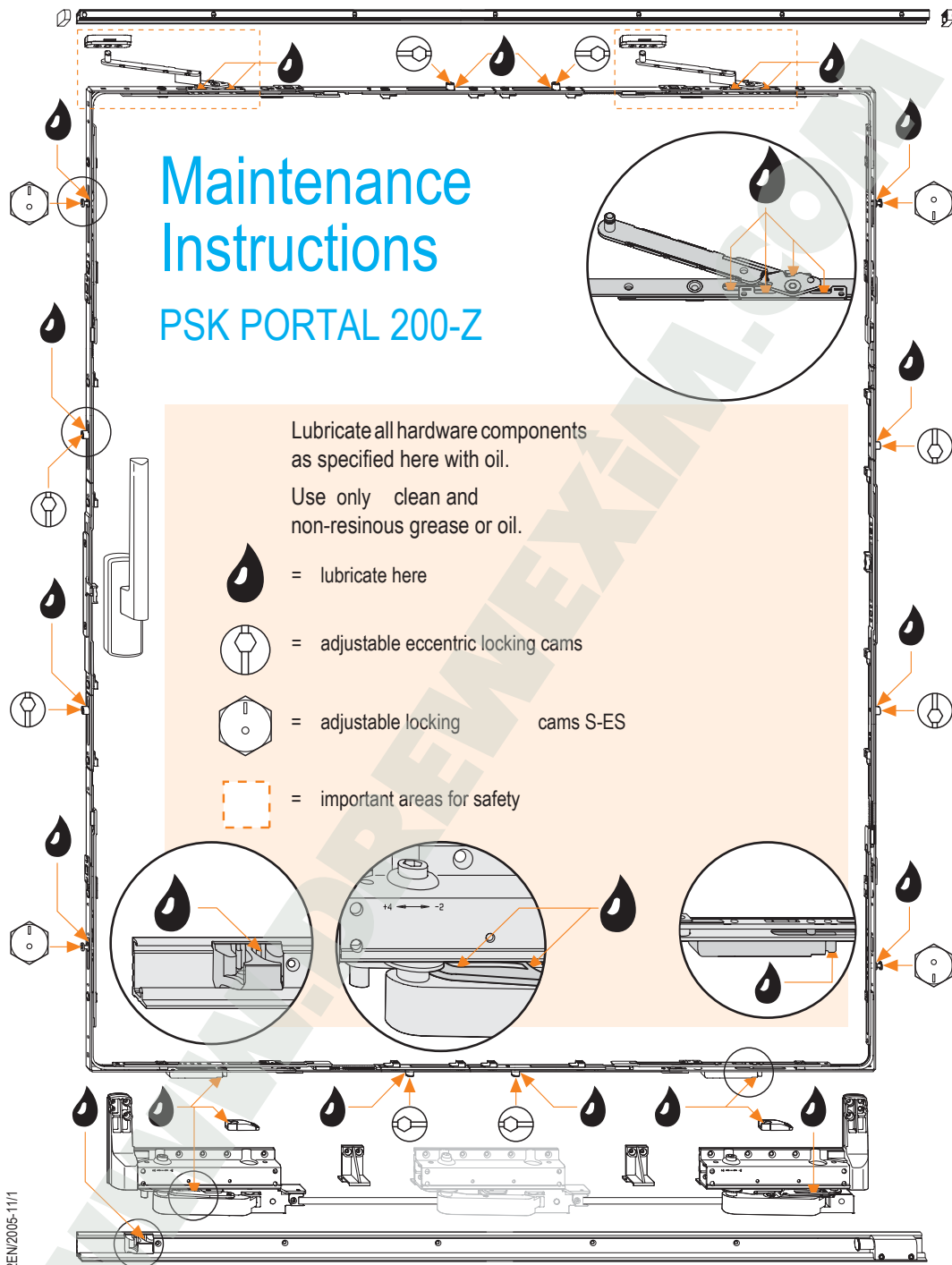
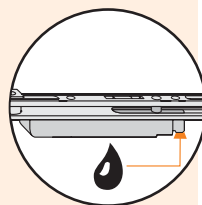
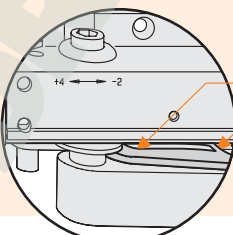
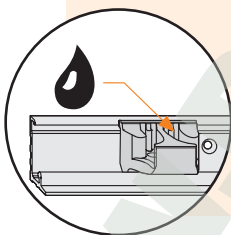
= adjustable eccentric locking cams



= adjustable locking cams S-ES



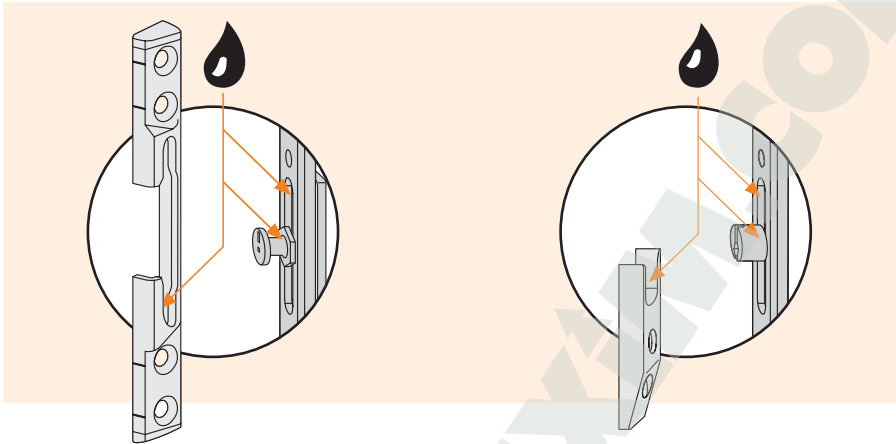
= important areas for safety



# Timber

Striker S-ES

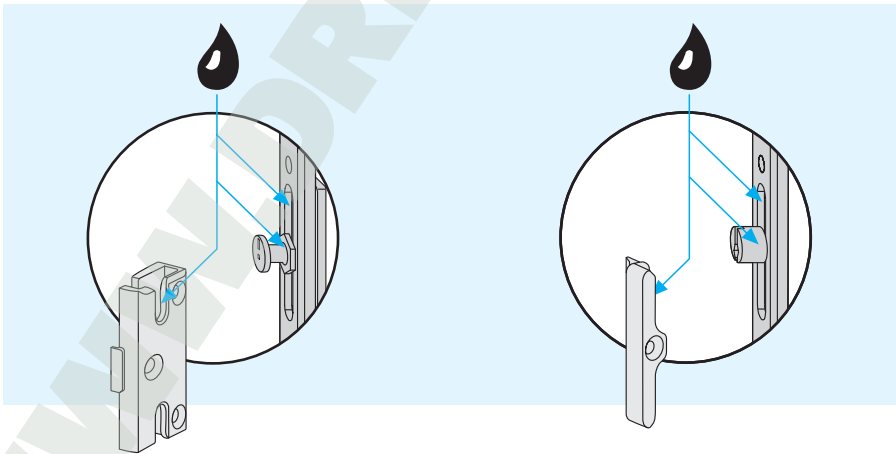
Striker 56



# PVCu


Striker S-ES

Striker 56



## Special Notes:

Your PSK windows are fitted with high quality components from SIEGENIA-AUBI. To ensure their smooth and trouble free operation you must carry out the following maintenance on them at least once a year:

1. Lubricate or oil all moving parts and locking points (  ).
2. Use only clean and non-resinous grease or oil.
3. Check all important security components ( ) for looseness and wear. If necessary tighten fixing screws and replace defective parts.
4. Only clean your PSK windows with a mild, neutral pH, diluted detergent. Never use aggressive, acid based detergents or scouring powder because they can damage the protective surface of your hardware.

To maintain the surface quality we recommend the following preventive measures:

5. After cleaning the hardware surface treat with a silicon and corrosion free (i.e. non-acidic) oil, e.g. sewing machine oil.

Warning, N.B. Malfunctions carry a risk of injury!

Do not continue to operate the window, but make it safe and have it repaired immediately; the following jobs should only be carried out by a specialist window company:

- the replacement of fittings
- the assembly/dismantling of sliding sashes
- all adjustments of fittings

No sealants which are hardened by the effect of vinegar or acid, or those containing these substances, must be used on the window or in its immediate vicinity. Direct contact with the sealant or with its vapours could attack the surface of the hardware fittings.

If treating the surface of PSK windows or doors - e.g. by painting or varnishing - all hardware components are to be excluded from this treatment and should also be protected against contamination.

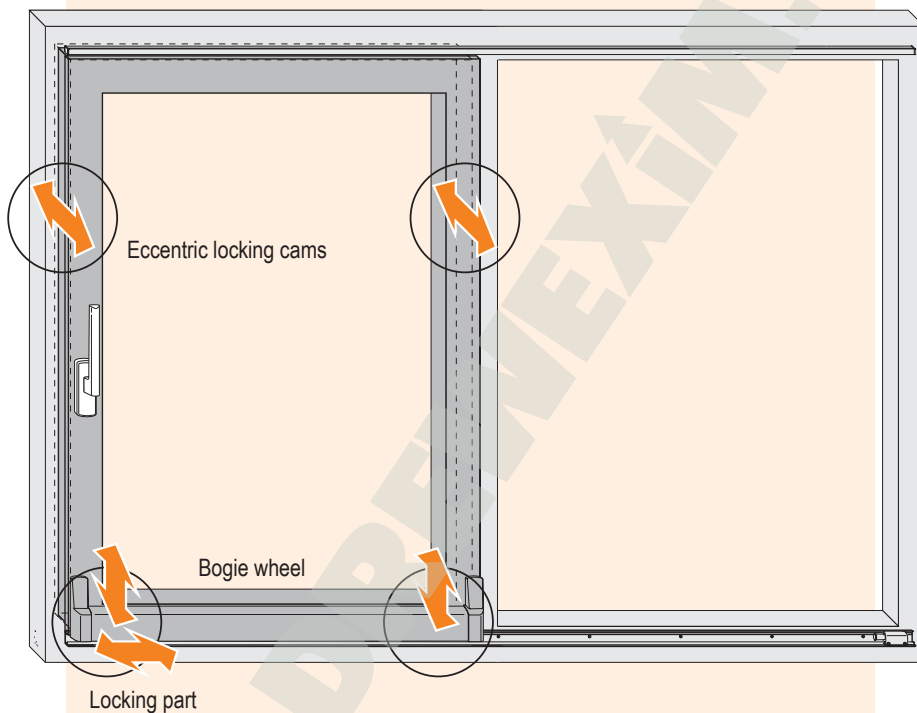
These maintenance instructions are also valid for other fittings and window types that are not mentioned here.

Your Window specialist:



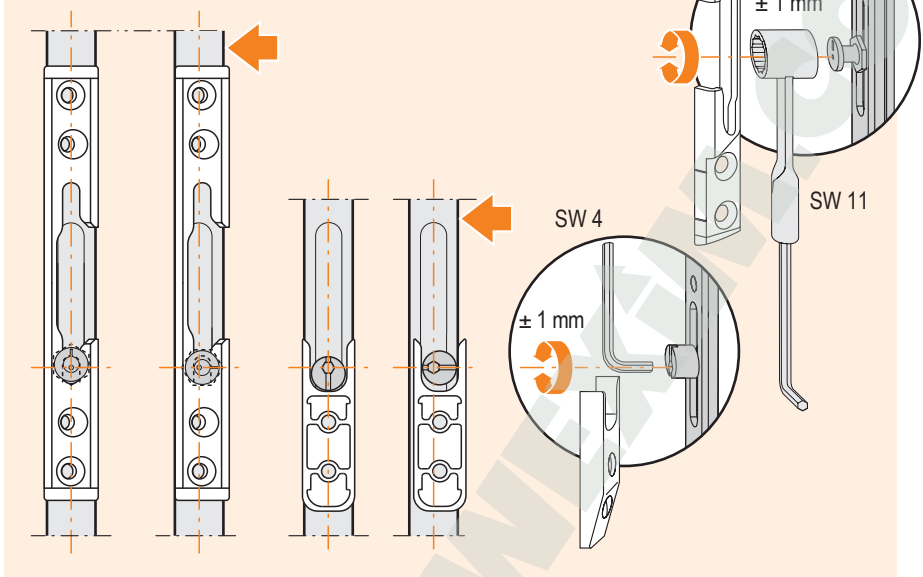
# Adjustments

The following adjustments should only be performed by an experienced window tradesman:



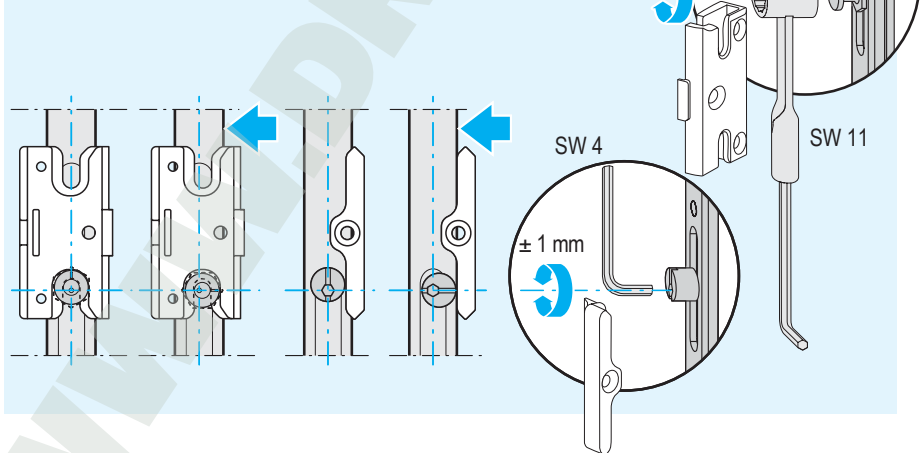
## Eccentric locking cams

### Sash closing pressure adjustment



## Eccentric locking cams

### Sash closing pressure adjustment



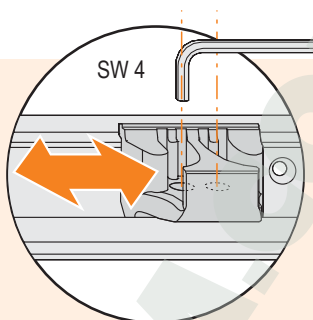
# Adjustable Parts

## Locking part

Side to side adjustment

to ensure the central run-in of the sash:

- loosen socket head screws
- move locking part to the side
- retighten socket head screws (torque 4 - 4,5 Nm)



## Bogie wheel

