



Vertical sliding sash windows

WWW.DREWEXIM.COM

Drewexim Sp. z o.o. ul. Szczecińska 44 75-137 Koszalin Poland

tel. +48 94 341 00 65 fax +48 94 342 32 35 e-mail: office@drewexim.com www.drewexim.com



The mark of responsible forestry
SW-COC-003289
© 1996 Forest Stewardship Council A.C.

FSC and Rainforest Alliance certified products available on request.







Our double hung windows are available in many options and designs to suit the needs of our customers, in different geographical areas and countries. There are traditional windows with cords and weights or chains with an Ovolo mould on the profile, more contemporary profiles with spiral balances. For high performance relating to security & weather we offer a modern mock sliding sash window which imitates the traditional design but incorporates the hi-tech inward opening tilt&turn system.

Material

The most popular timber is Pine (European Redwood) but we also offer other softwoods and hardwoods incl. Meranti, Mahogany and Oak. Practically, any type can be used. To strengthen the construction of the frames multi layer laminated and finger-jointed engineered wood is used. However, for all stain colours we offer clear face wood. Our timber is always free from knots and any other defects. Impregnated in an environmentally friendly water-soluble preservative, then polished and sprayed several times. The finish achieved is of the highest quality.

Configurations

Not only rectangular shapes are available but also arches either regular or template arches. Combinations of several frames fitted together is only a matter of your imagination. Usually the sashes are divided 1:1 but any other proportions incl. 2:1 and 3:1 is available.



GLASS

- toughened, laminated
- obscure, tinted, leaded
- single, double
- Argon, Krypton, Xenon
- various colours of glass spacer

IRONMONGERY

- wide choice of handles and sash lifts
- brass, stainless steel, chrome, powder coated and oil rubbed bronze finish
- key-lockable fasteners
- key-lockable restrictors
- concealed spiral balances
- top sash pull rings
- trickle ventilators

FINISH

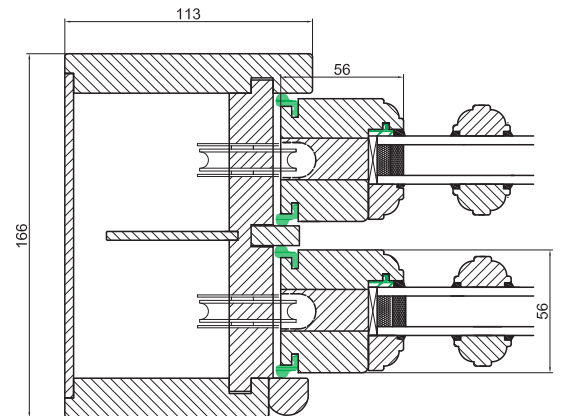
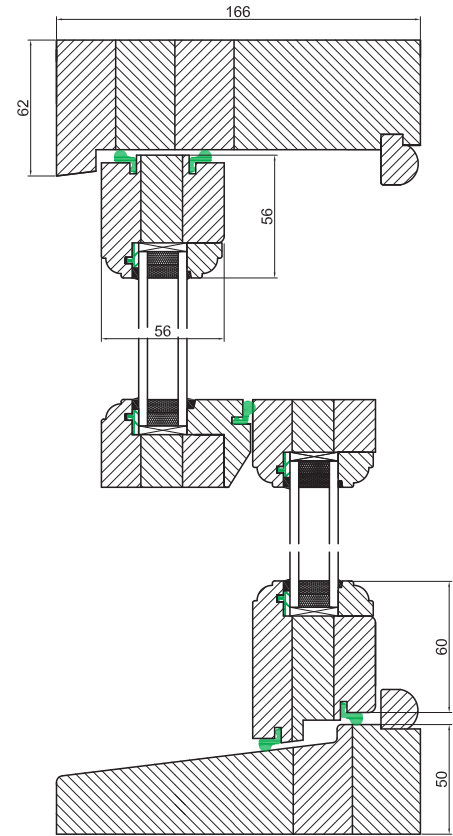
- RAL and NCS paints
- Gori, Sikkens, Akzo Nobel stains
- special colours on request
- oiled finish
- dual colour

GLAZING BARS & BEADS

- any shape, thickness and configuration
- stick on, internal, true glazing bars
- traditional shapes incl. G-mould
- contemporary shapes

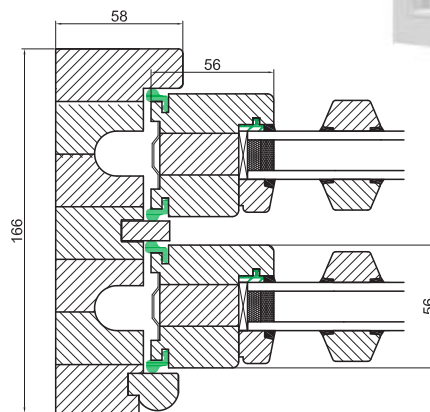
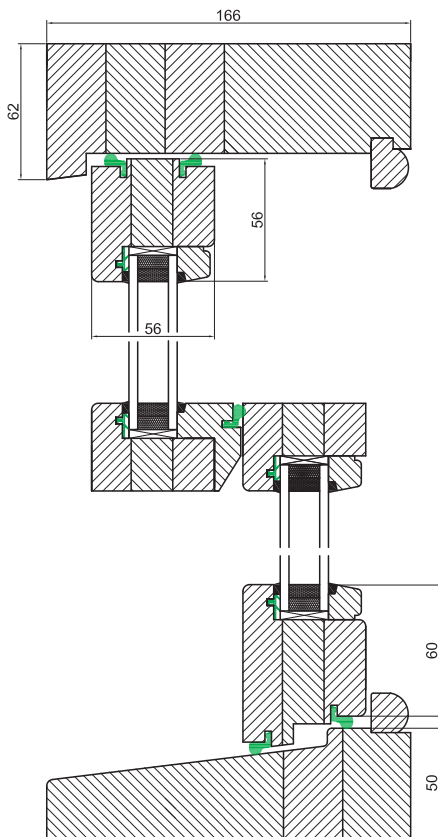
INSECT SCREENS

- roll-up
- fixed
- painted or anodized to any colour



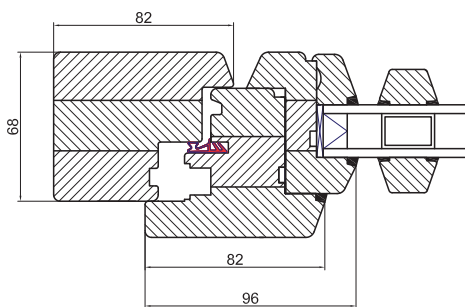
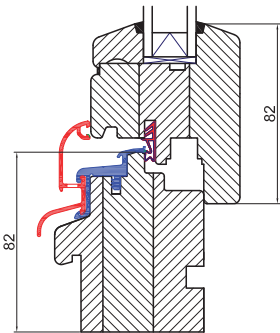
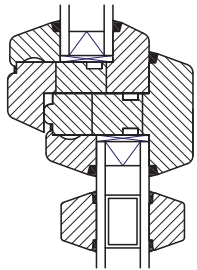
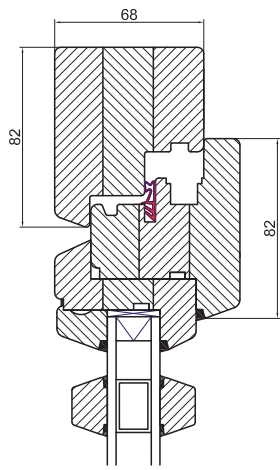
CORDS & WEIGHTS / CHAINS & WEIGHTS

The Cords & Weights or Chains & Weights model is particularly suited to comply with strict conservation area requirements. The sashes have a traditional decorative Ovolo mould all around, the glazing beads and glazing bars are made to match that profile very closely. As a standard we offer double-glazing but single glazing even with traditional putty is available. The horn shape on the top sash emphasises the classical appearance of the window. Despite such non-contemporary design the performance is very smooth and the windows are secure and tight.



SPIRAL BALANCES

Less traditional but still available with the classical Ovolo mould or square shape profile. Why not make a modern sliding sash window and choose original glazing beads and glazing bars and make this window unique but keep the balance between traditional functions and modern look. The balances are available in various colours to match the finish of the window. Moreover, hidden balances as an option are available therefore when the window is closed all you can see is perfectly finished wood. Operation of the balances and weather performance of such unit is superior.



MOCK SLIDING SASH

If you choose the highest ratings of weather performance but still would like your new windows to harmonize with the characteristic style of the building this is the best solution for you. Hi-tech 68mm tilt&turn construction offering security, fantastic tightness and easy operation but designed in a way to replicate the looks of the classic double hung windows. Decorative horns are available to complete look a like sliding sash. Easy to install, easier to maintain, inward opening sash allows both sides of the windows to be cleaned from inside. For improved safety opening restrictors are available.

Mock sliding sash